

E290

Bluetooth®

0,01 mm/m
0,001°



DIGITAL PRECISION LEVEL

Measure straightness, flatness, level and parallelism.

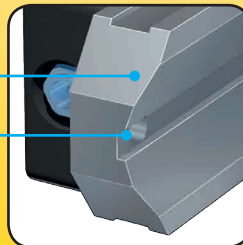
EASY-LASER®

Built-in display:
Angle (mm/m, degree)

Direction of angle



Base:
Precision grinded
prismatic base.
Two holes for personal
adaptations
and brackets.



Functions:
Zeroing and
halving of value



NEW POSSIBILITIES FOR THE ALIGNER

THE PERFECT ADDITION TO LASER ALIGNMENT

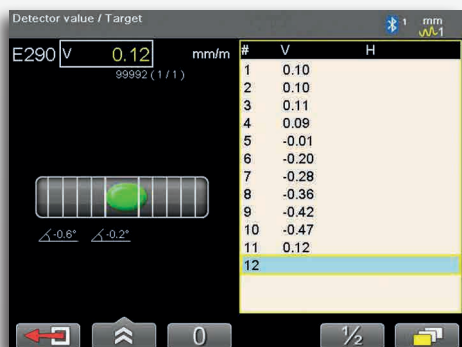
Digital levels are extremely useful tools for setting-up and aligning most types of machine, for example, levelling machine tables, rolls, bases, etc. Other areas of use include checking straightness, flatness and parallelism. Easy-Laser® E290 now also offers the possibility of documenting the work, by wirelessly connecting to your Easy-Laser® alignment system. Today, documentation is a common client requirement.

E290 is the perfect addition to laser based alignment systems and is an investment that can be recouped quickly thanks to the broad areas of use.

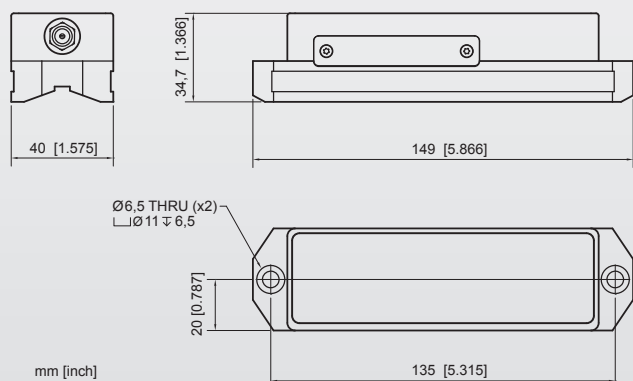
Accuracy is guaranteed by the precision-ground, hardened steel base. Easy-to-read OLED display and a rechargeable battery make it easy to use. Two mounting holes allow for your own adaptations and fixtures.

CONNECT TO A SEPARATE DISPLAY UNIT

Using a separate display unit (accessory) makes it all even easier, as you can read off and follow the adjustment at the precise point on the machine where the adjustment is made. The measurement values can be documented and transferred to PC, for further completion of a measurement report.



Digital and graphical view on the Easy-Laser® display unit.



TECHNICAL DATA

Easy-Laser® E290 Digital Precision Level (Complete kit), Part No. 12-0857

1	Digital Precision Level
1	Manual on USB stick
1	Charger (100–240 V AC) with cable
1	Carrying case, WxHxD: 270x225x80 mm [10.6"x8.8"x3.1"]

Digital Precision Level

Resolution	0.01 mm/m (0.001°)
Range	± 2 mm/m
Measurement error	Better than ± 0.02 mm/m
Displayed units	mm/m, degrees, mils/thou, arcsec
Type of display	OLED
Wireless communication	Class I Bluetooth® wireless technology
Environmental protection	IP Class 67
Operating temperature	-10–50 °C
Internal battery	Li Po
Material	Hardened steel, ABS plastics
Dimensions	WxHxD: 149x40x35 mm [5.9x1.6x1.4"]
Weight	530 g [18.7oz]

*The E290 can be used as a separate tool, but will also work connected via Bluetooth® with the Values program in the display unit of the Easy-Laser® systems.



Precision prismatic base of hardened steel.



Legs for measurement on cylindrical surfaces with diameters larger than 55 mm. Accessory, Part No. 12-0901.

Easy-Laser® is manufactured by Damalini AB, Alfagatan 6, 431 49 Möndal, Sweden, Phone +46 31 708 63 00, Fax +46 31 708 63 50, email: info@damalini.se, www.damalini.com © 2015 Damalini AB. We reserve the right to make modifications without prior notification. Easy-Laser® is a registered trademark of Damalini AB. This product complies with: EN60825-1:2007, 21 CFR 1040.10 and 1040.11 This device contains FCC ID: PVH0925, IC: 5325A-0925. Extend the warranty from 2 to 3 years by registering your system on the Internet.



J.L. Griffin LLC.
4625-B Turtle Creek Drive,
Brookfield, WI 53005
TEL 414.218.8088
E-mail jim@jlgriffin.com